

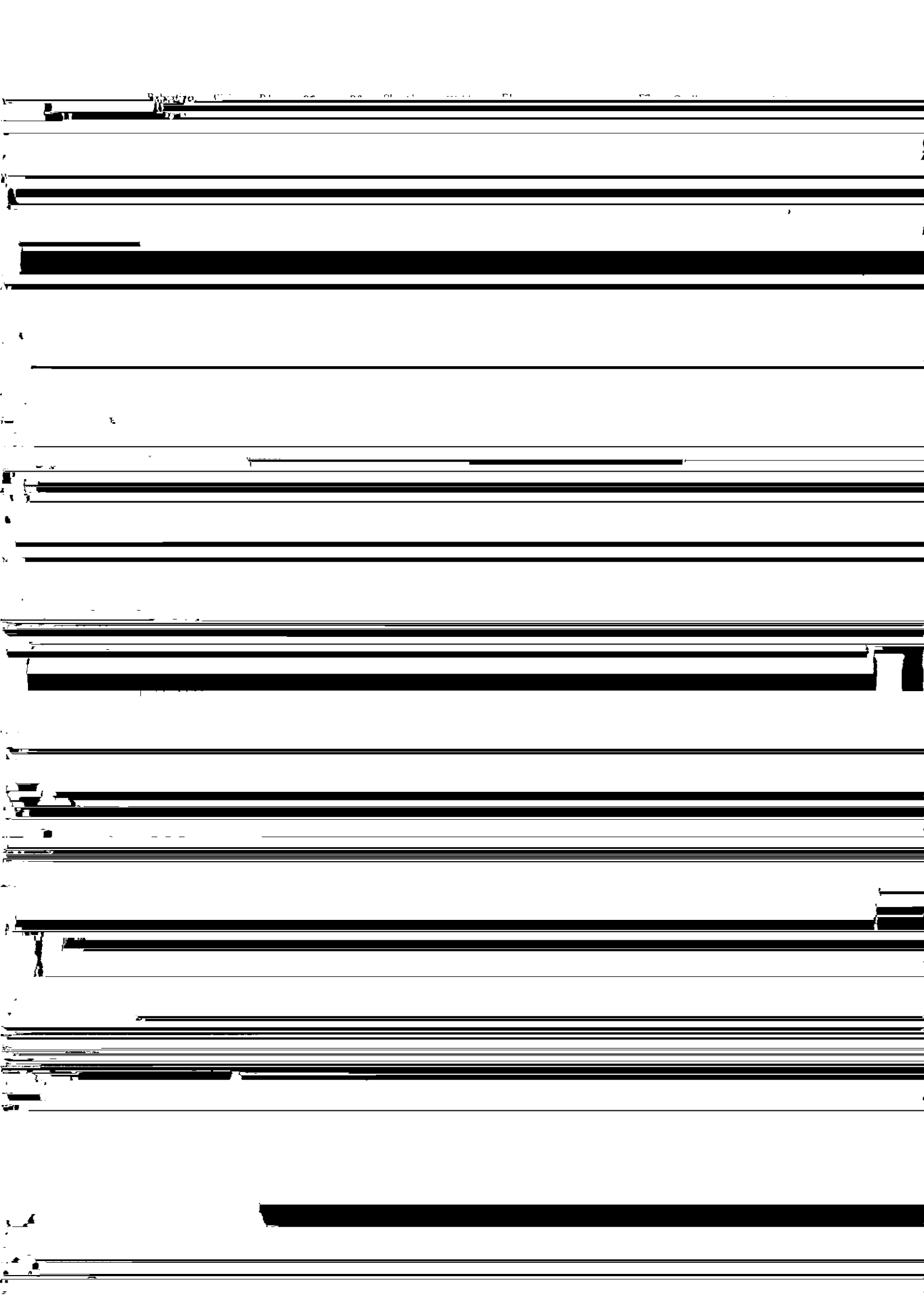


# High Quality Production Technology at the Chiba Works No. 3 Hot Strip Mill\*



*Synopsis:*

*Kawasaki Steel started the operation of the No. 3 hot strip mill at its Chiba Works in May 1995. This is the first fully continuous hot strip mill in the world. To satisfy customer demands for the improvement of*



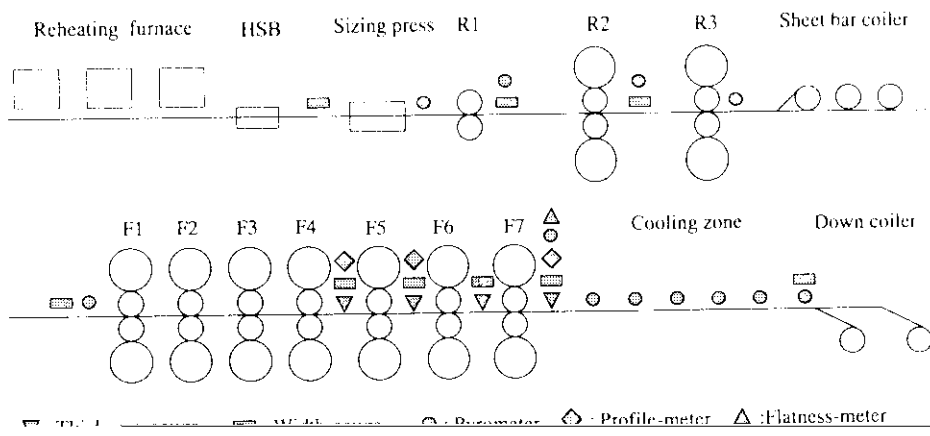
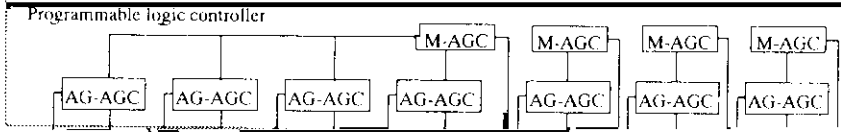


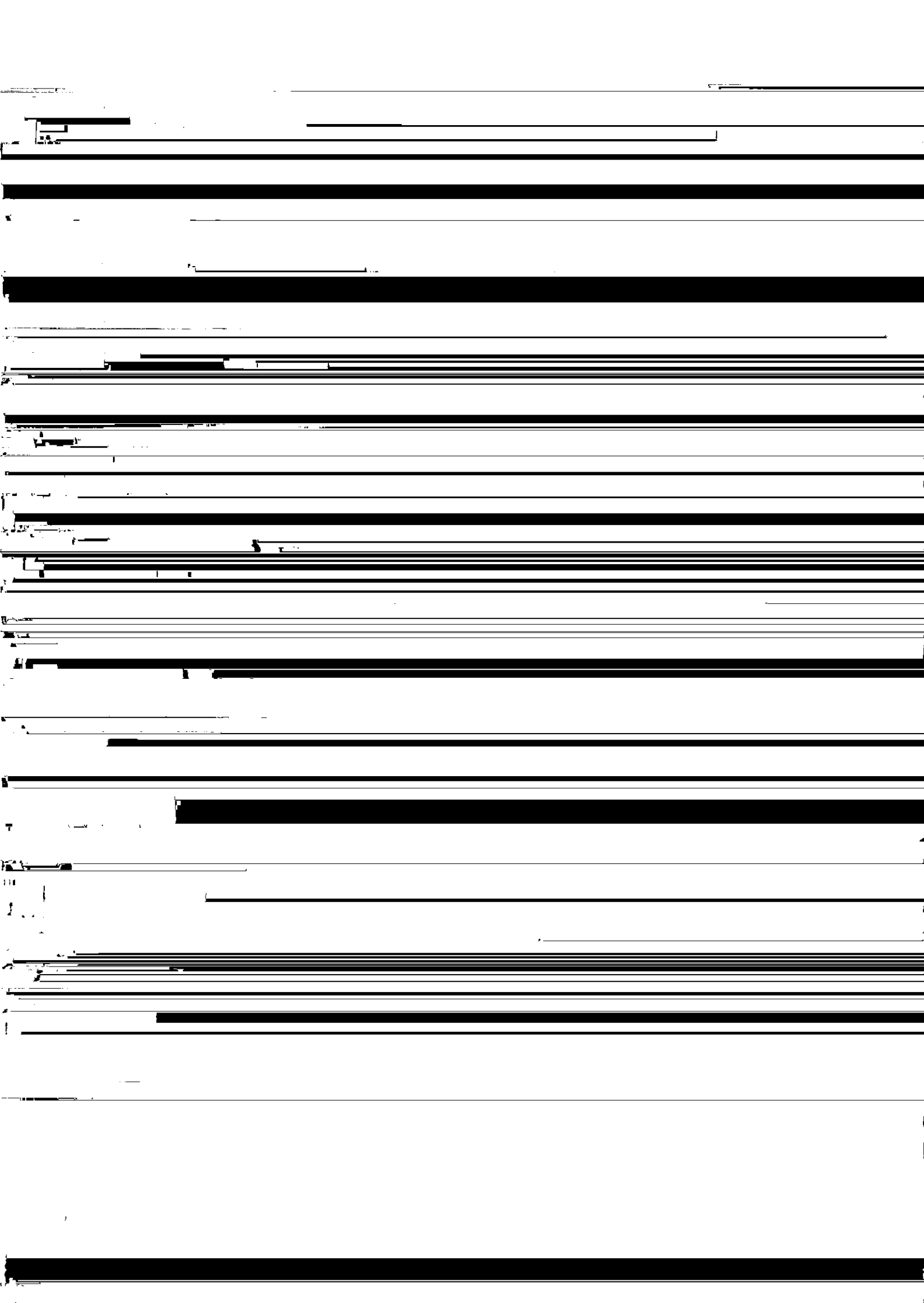
Fig. 3 Sensor arrangement in No. 3 hot strip mill

JMC (Internal model control)

30

25





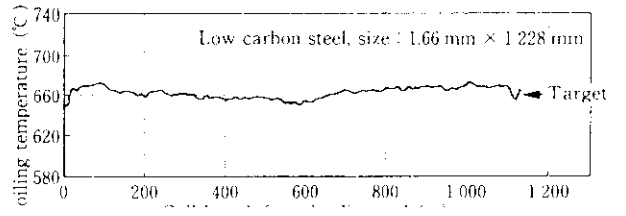
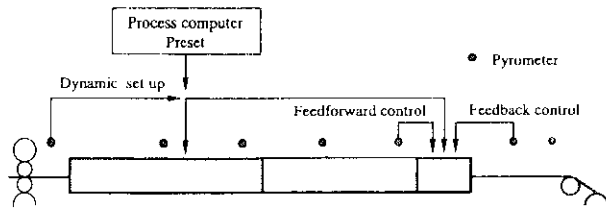


Fig. 14 Outline of coiling temperature control system in No. 3 hot strip mill

virtual cut sheet enters the finishing mill. (2) Dynamic

control, (2) gauge control, (3) width control, (4) crown and flatness control, (5) FDT control, and (6) CT control. In each of these functions the precision of the control has