

KC80, a Fast Z80 Compatible CPU Core and

[Redacted]

[Redacted]
Yasuo Yamada** Hiroshi Suzuki*** Hideki Yoneda**

1 Background

A CPU core is different from a standard CPU, being a CPU circuit block that is designed especially to be part



Table 1 Specifications of KC80 CPU core

Maximum clock frequency	10 MHz
Operational clock frequency	0 ~ 10 MHz
Performance	•5 times faster than Z80 (8 MHz) •Minimum execution time; 0.1 μ s
Instruction set	Binary compatible with Z80

•1 clock cycle/memory access

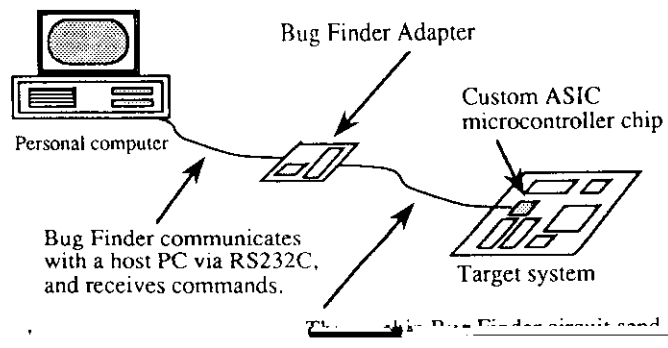


Fig. 2 Configuration of Bug Finder system in use